



**John  
BOOS**  
Since 1887

ITEM #: \_\_\_\_\_ QTY: \_\_\_\_\_

MODEL #: \_\_\_\_\_

PROJECT NAME: \_\_\_\_\_

011719

3601 S. Banker St. Effingham, IL 62401 • P.O. BOX 609 • Ph: (888) 431-2667 • Fax: (800) 433-2667

## **"E3S8-2D" - 3 COMPARTMENT "E-SERIES" SINKS**

### **WITH TWO DRAIN BOARDS AND GALVANIZED LEGS**



#### **FEATURES:**

- 18GA STAINLESS STEEL
- TYPE 300 STAINLESS STEEL WITH #4 POLISH, SATIN FINISH
- 12" AND T14" DEEP BOWLS
- ALL CORNERS, BOTH VERTICAL AND HORIZONTAL, COVED AT 3/4" RADIUS
- BOTTOMS OF BOWLS FORMED FOR DRAINAGE TO 3-1/2" DIAMETER DIE STAMPED OPENING
- FULL LENGTH 9-3/4" HIGH BOXED BACKSPLASH, WITH 2" RETURN TO WALL AT 45 DEGREE AND 1" TILE EDGE
- 1-1/8" FAUCET HOLES IN BACKSPLASH
- ALL OUTSIDE CORNERS OF ASSEMBLY ARE BULLNOSED TO PROVIDE SAFE, CLEAN, AND POLISHED EDGE
- STANDARD STAINLESS STEEL LEGS 1-5/8" DIAMETER

#### **CONSTRUCTION:**

- TOP: STAINLESS STEEL SINKS ARE TIG WELDED, EXPOSED WELDS ARE POLISHED TO MATCH ADJACENT SURFACE
- BASE: GALVANIZED BASE

#### **MATERIAL:**

- BOWLS & TOP: 18GA TYPE 300 STAINLESS STEEL WITH #4 POLISH, SATIN FINISH
- LEGS: 1-5/8" ROUND O.D. GALVANIZED STEEL
- GUSSETS: GALVANIZED STEEL
- FEET: 1" ADJUSTABLE PLASTIC BULLET FEET



E3S8-24-14

#### **10" DEEP - 3 COMP SINKS - 18GA**

MODEL	BOWL SIZE (LxWxD)	QTY
E3S8-1014-10T15	10" X 14" X 10"	

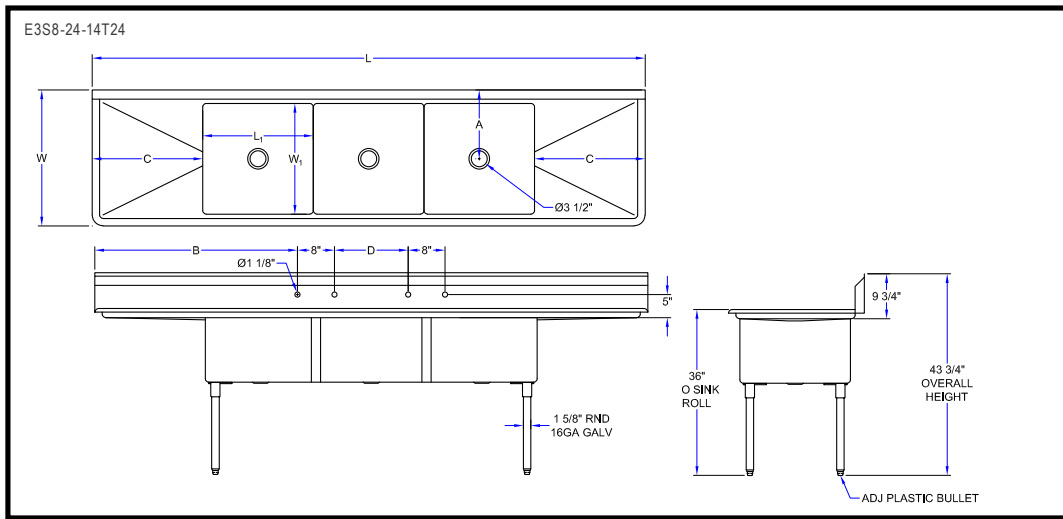
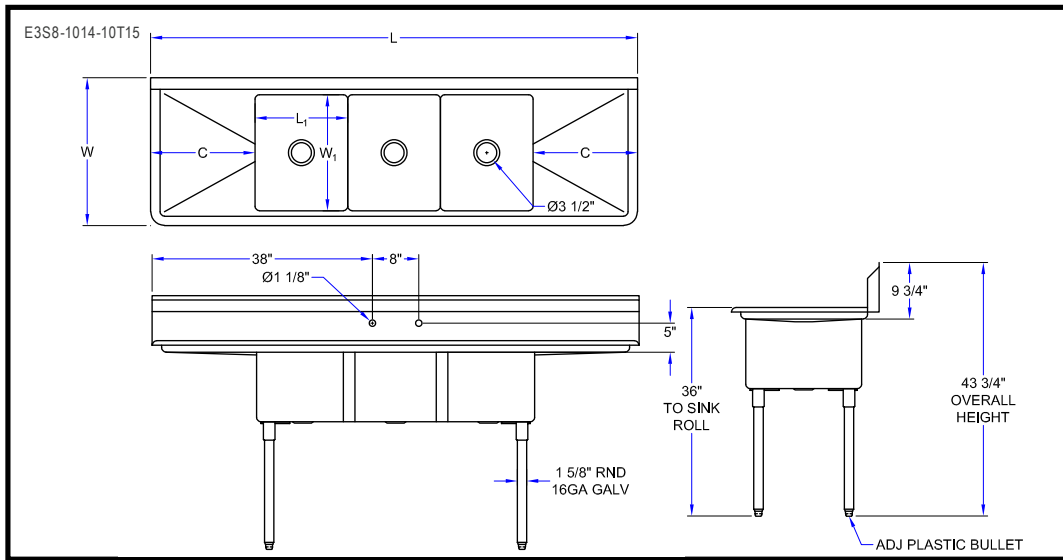
#### **12" DEEP - 3 COMP SINKS - 18GA**

MODEL	BOWL SIZE (LxWxD)	QTY
E3S8-1220-12T12	12" X 20" X 12"	
E3S8-1416-12-T12	14" X 16" X 12"	
E3S8-1620-12T18	16" X 20" X 12"	
E3S8-18-12T18	18" X 18" X 12"	

#### **14" DEEP - 3 COMP SINKS - 18GA**

MODEL	BOWL SIZE (LxWxD)	QTY
E3S8-15-14T15	15" X 15" X 14"	
E3S8-1620-14T18	16" X 20" X 14"	
E3S8-18-14T18	18" X 18" X 14"	
E3S8-18-14T24	18" X 18" X 14"	
E3S8-1824-14T24	18" X 24" X 14"	
E3S8-24-14T24 *	24" X 24" X 14"	
E3S8-2030-14T24	20" X 30" X 14"	

\* WITH TWO SETS OF FAUCET HOLES



**10" DEEP - 18GA - "E3S8-2D" 3 COMPARTMENT "E-SERIES" SERIES SINKS**

MODEL	L	W	L1	W1	A	B	C	WT (LBS)
E3S8-1014-10T15	60"	19-1/2"	10"	14"	9-15/16"	26"	15"	61

**12" DEEP - 18GA - "E3S8-2D" 3 COMPARTMENT "E-SERIES" SERIES SINKS**

MODEL	L	W	L1	W1	A	B	C	WT (LBS)
E3S8-1220-12T12	60"	25-1/2"	12"	20"	12-15/16"	26"	12"	78
E3S8-1416-12T12	66"	21-1/2"	14"	16"	10-15/16"	29"	12"	75
E3S8-1620-12T18	84"	25-1/2"	16"	20"	12-15/16"	38"	18"	95
E3S8-18-12T18	90"	23-1/2"	18"	18"	11-15/16"	41"	18"	95

**14" DEEP - 18GA - "E3S8-2D" 3 COMPARTMENT "E-SERIES" SERIES SINKS**

MODEL	L	W	L1	W1	A	B	C	D	WT (LBS)
E3S8-15-14T15	75"	20-1/2"	15"	15"	10-7/16"	33-1/2"	15"	-	83
E3S8-1620-14T18	84"	25-1/2"	16"	20"	12-15/16"	38"	18"	-	100
E3S8-18-14T18	90"	23-1/2"	18"	18"	11-15/16"	41"	18"	-	101
E3S8-18-14T24	102"	23-1/2"	18"	18"	11-15/16"	47"	24"	-	107
E3S8-1824-14T24	102"	29-1/2"	18"	24"	14-15/16"	47"	24"	-	123
E3S8-24-14T24	120"	29-1/2"	24"	24"	14-15/16"	44"	24"	16"	140
E3S8-2030-14T24	108"	35-1/2"	20"	30"	17-15/16"	50"	24"	-	145

SOME UNITS SHIP UNASSEMBLED FOR REDUCED SHIPPING COST. ALL DIMENSIONS ARE TYPICAL. TOLERANCE +/- .500"

John Boos & Co. is constantly engaged in a program of improving products and therefore reserves the right to change specifications without prior notice.



3601 S. Banker St. • Effingham, IL 62401 • PO BOX 609 • quotes@johnboos.com

111618



www.johnboos.com

179